



giri brothers

Since 1973

Specialist in Quality Weighing, Counting and Billing Machines

DCS - BT CRANE SCALE WITH INTELLIGENT WEIGHT RECORDER

The CIBI DCS model crane scales are tried and tested, widely used crane scales. They come with rugged, aluminium ergonomic design. Its bright red 30 mm display gives better visibility at heights. Its built in rechargeable battery gives a back up for upto 16 hours. It comes with a remote control, with options like Hold, Tare, Zero etc.,. It is approved by weights and measures department of legal metrology. If you are looking for a simple crane Scale, just opt for this. Best buy guaranteed.



Features

- Cast aluminium housing for maximum protection
- Easy-to-read 30mm LED display
- Standard remote controller
- Battery operated with low battery indication
- On, Off, Zero, Tare and Hold (Manual or Automatic) functions

Giri 4.0 Software

This intelligent software can be installed in either hand held or fixed, Can be used to record the product name, its weight, date & time of weightment, customer number or any other requirement like order invoice numbers etc as per your requirement. The data can be transferred to a centralised server on real time or later, for further processing.

You can opt for a printer like label/barcode or printers as per user requirement

Application

AUTOMOBILES, STEEL, ROOFING FOUNDRIES, TEXTILE PAPER AND OTHER INDUSTRIES

New No.24 (old 51), Rajaji Salai, Chennai - 600 001, INDIA

Phone: 044-2522 5401. Fax: 0091-44-25224367. Email : sales@giribrothers.in

Web : www.giribrothers.in



giri brothers

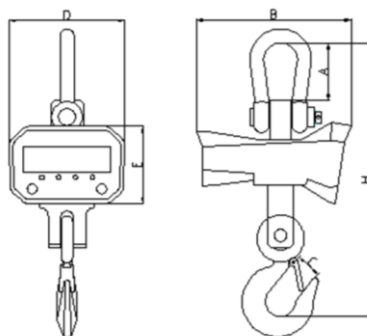
Since 1973

Specialist in Quality Weighing, Counting and Billing Machines

Specification

MAKE	CIBI						
Model	1DCS	2 DCW	3 DCW	5 DCW	10 DCW	15 DCW	20 DCW
Weighing Capacity	1000kg x 0.5kg	2000kg x 1kg	3000kg x 1 kg	5000kg x 2kg	10000kg X 5kg	15000kg X 5kg	20000kg X 10kg
Maximum Tare	Full Tare						
Display Digit	LED (1.2 inch)						
Operating Power	DC 6V						
Power Source	AC 110/ 120/ 220/ 240V, 50/ 60Hz						
Power Consumption	1W						
Operating Temperature	-10°C ~ +40°C						
Dimensions (mm)	230(W) x 370(D) x 380(H)		230(W) x 370(D) x 474.5(H)		230(W) x 370(D) x 518.5(H)		
Product Weight	15kg		17kg		20kg		

Dimension



Cap.(kg)	A(mm)	B(mm)	C(mm)	D(mm)	E(mm)	H(mm)	G.W.(kg)
2000	95	260	35	195	130	430	12
3000	95	260	45	195	130	460	13
5000	125	325	55	235	158	525	19
10000	140	325	65	235	158	660	29
15000	175	345	70	235	160	805	57
20000	175	345	85	235	160	870	63

New No.24 (old 51), Rajaji Salai, Chennai - 600 001,INDIA

Phone: 044-25225401 www.giribrothers.in sales@giribrothers.in

D
C
S



giri brothers

Since 1973

Specialist in Quality Weighing, Counting and Billing Machines

IT – 10 TTP

Features

- 1) 10 Inch Display Works With PC Key Board Mouse
- 2) Wifi Bluetooth
- 3) Built in Giri 4.0 Softwares
- 4) Elegant Casing for Printer And Display.
- 5) Can Pair With Wide Range of Printers Mentioned below



IT – 5.5

Features

- 1) 5.5 Inch Touch Display with built in Thermal Printer.
- 2) Wifi, Bluetooth
- 3) 2gb Ram 16gb Memory
- 4) Built in Giri 4.0 Softwares
- 5) Can Pair with printers Mentioned Below



2T Printer Bluetooth

- 1) Bluetooth Thermal Printer 56mm (2 inch). Can Print Barcode /QR Codes.
- 2) No need ink/ ribbon or any accessories .
- 3) Low Maintenance
- 4) 70mm/sec Printing Speed.
- 5) The Printed Content will erase on exposure to Heat (15 days to 30 days)
- 6) Portable works in Battery .Comes with belt pouch



2DM Printer Bluetooth

- 1) Dotmatrix 56mm (2 inch). Can Print Barcode /QR Codes.
- 2) Needs Ribbon Roll to Print , hence the printed content will not erase.
- 3) 40mm/sec Printing Speed.
- 4) Cannot Print Barcodes /QR codes
- 5) Portable works in Battery .Comes with belt pouch



TTP Printer Bluetooth

- 1) 100mm (4 inch) Thermal Transfer or Direct Thermal Printer.
- 2) Can Print Labels Barcodes.QR Codes Etc.
- 3) 250mm Per second High Printing Speed
- 4) Printing content not erased if used with Ribbon
- 5) Does not work with Battery and not portable.

