



giri brothers

Since 1973

Specialist in Quality Weighing, Counting and Billing Machines

DCS Molten Metal weighing – CRANE SCALE

The CIBI DCS molten Metal weighing crane scales are Special design: Suitable for high temperature casting industry (below 1600°C). widely used in foundry industries. They come with rugged, aluminium ergonomic design. Its bright red 30 mm display gives better visibility at heights. Its built in rechargeable battery gives a back up for upto 16 hours. It comes with a remote control, with options like Hold, Tare, Zero etc.,



Features

- Cast aluminium housing for maximum protection
- Easy-to-read 30mm LED display
- Standard remote controller
- Battery operated with low battery indication
- On, Off, Zero, Tare and Hold (Manual or Automatic) functions

Specification

MAKE	CIBI						
Model	1DCS	2 DCW	3 DCW	5 DCW	10 DCW	15 DCW	
Weighing Capacity	1000kg x 0.5kg	2000kg x 1kg	3000kg x 1 kg	5000kg x 2kg	10000kg X 5kg	15000kg X 5kg	
Maximum Tare	Full Tare						
Display Digit	LED (1.2 inch)						
Operating Power	DC 6V						
Power Source	AC 110/ 120/ 220/ 240V, 50/ 60Hz						
Power Consumption	1W						
Operating Temperature	-10°C ~ +40°C						
Dimensions (mm)	230(W) x 370(D) x 380(H)		230(W) x 370(D) x 474.5(H)		230(W) x 370(D) x 518.5(H)		
Product Weight	15kg		17kg		20kg		

New No.24 (old 51), Rajaji Salai, Chennai - 600 001,INDIA

Phone: 044-2522 5401. Mobile :+91 98414 36535 Email : sales@giribrothers.in

Web : www.giribrothers.in

D
C
S
M

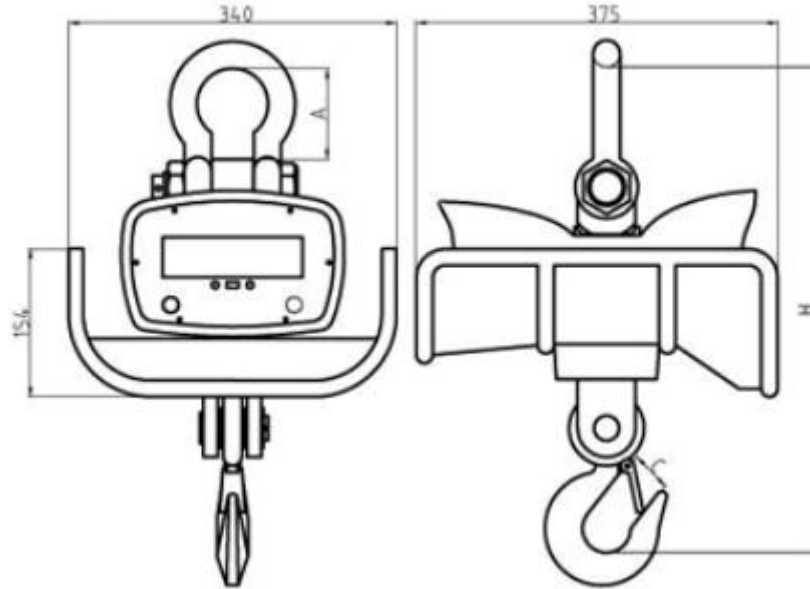


giri brothers

Since 1973

Specialist in Quality Weighing, Counting and Billing Machines

Dimension



MODEL	A(mm)	B(mm)	C(mm)	H(mm)	N.W.(kg)
DCS-1	67	350	33	450	18.5
DCS-2	67	350	33	450	18.5
DCS-3	95	350	40	510	22
DCS-5	113	365	50	625	43
DCS-10	122	365	60	760	60
DCS-15	144	365	70	835	73